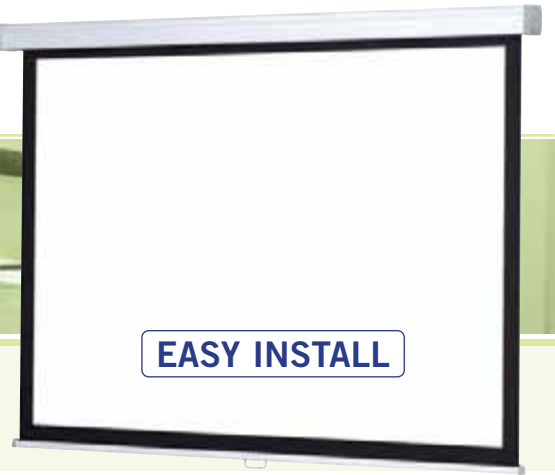


# EASY-SCREEN

NEW



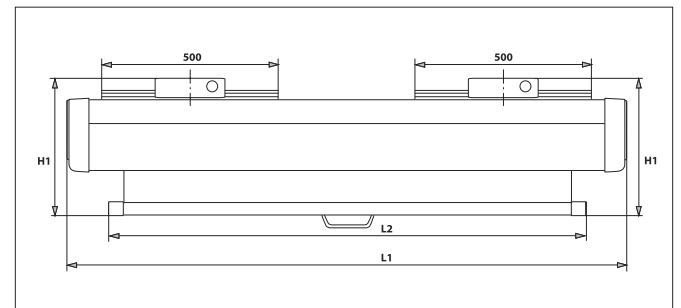
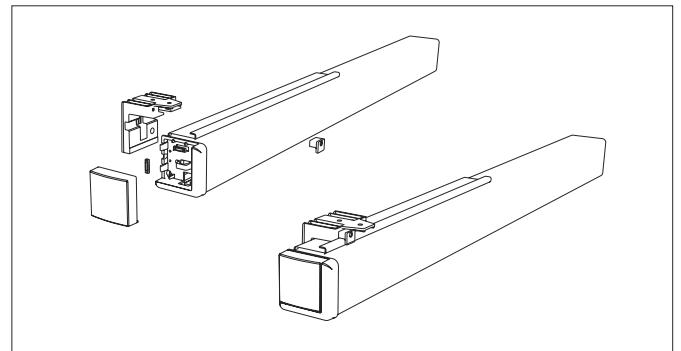
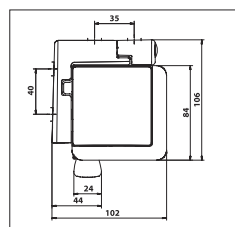
## CHARACTERISTICS

- White painted galvanised steel casing (RAL 9016).
- Pull-down fabric with handle at the bottom of the screen.
- The spacing between the mounting brackets can be adjusted to suit the installation constraints.
- Easy to install on the wall or ceiling.
- Available with Matte White P and Datalux S fabrics.
- 4:3 and 16:9 formats with 2.5 cm black border on 3 sides and wide top border to enhance the colour contrast.
- 1:1 format without borders.

## Wall and ceiling mounting MULTIPURPOSE

This screen is especially recommended for classrooms or conference rooms. The Easy Install mounting system makes the screen easier to install.

## ACCESSORIES / pp. 59-63



Dimensions are given in mm.

|      | Overall  | Image size | Diagonal | Fabrics       |           | Dimensions (cm) |     |     | Net weight |
|------|----------|------------|----------|---------------|-----------|-----------------|-----|-----|------------|
|      | WxH (cm) | WxH (cm)   | (cm)     | Matte White P | Datalux S | H1              | L1  | L2  | Kg         |
| 1:1  | 198x198  | 198x198    | 180      | 097020        | 097123    | 211             | 213 | 204 | 14         |
|      | 238x238  | 238x238    | 336      | 097040        |           | 251             | 253 | 244 | 17         |
| 4:3  | 198x150  | 193x145    | 241      | 097220        | 097223    | 163             | 213 | 204 | 14         |
|      | 238x180  | 233x175    | 291      | 097090        | 097193    | 193             | 253 | 244 | 17         |
| 16:9 | 198x114  | 193x109    | 221      | 097310        | 097313    | 127             | 213 | 204 | 14         |
|      | 238x136  | 233x131    | 267      | 097340        | 097343    | 149             | 253 | 244 | 17         |

W: Image width H: Image height H1: Total screen height L1: Length of casing L2: Length of bottom bar